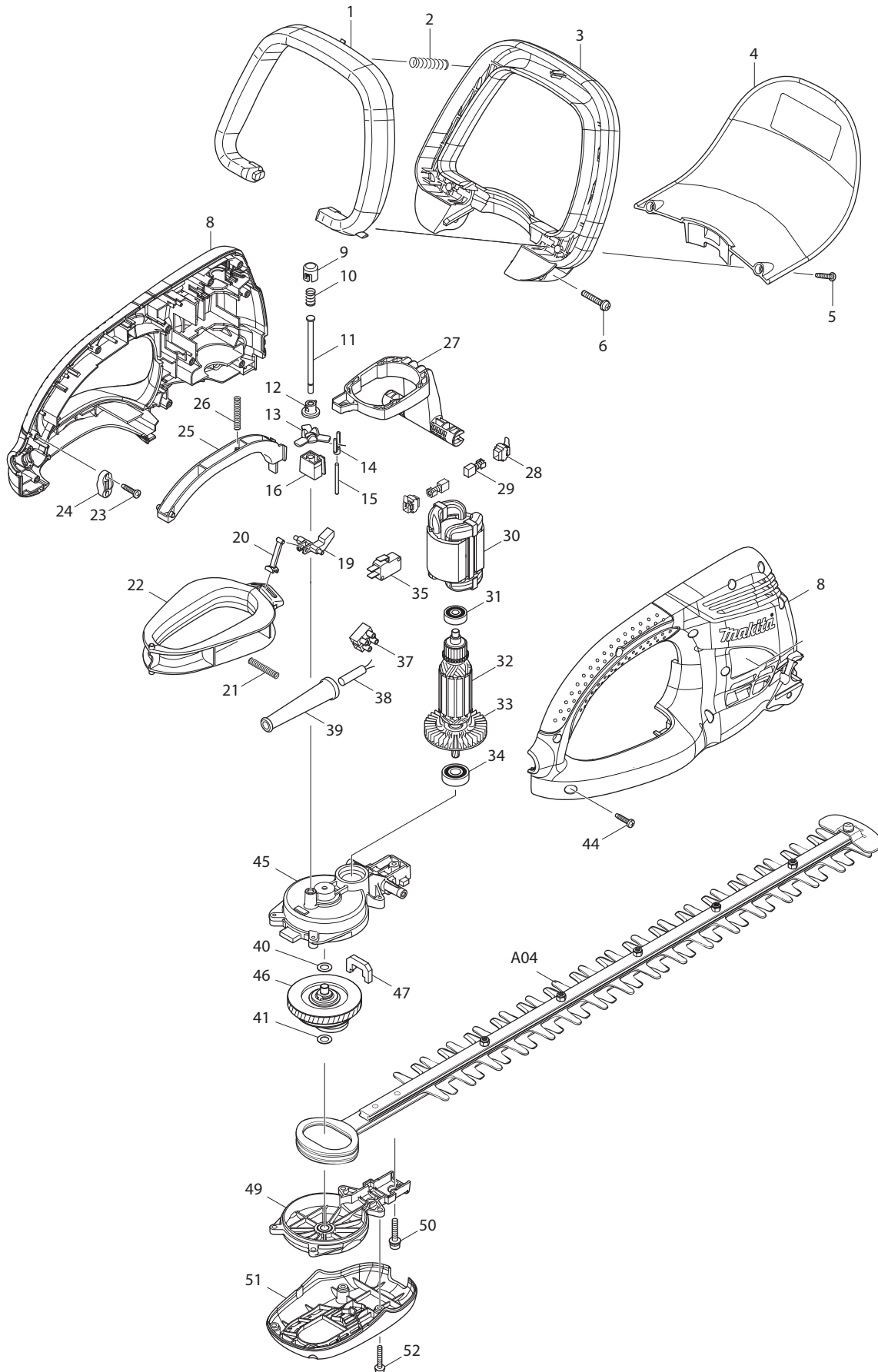




01 - 2009

UH5570

21-5/8" HEDGE TRIMMER



Item	NType	Sub	Part No	Description	Qty	Unit
001			450444-8	SWITCH LEVER B	1	PC.
002			233157-4	COMPRESSION SPRING 9	1	PC.
003			450442-2	FRONT GRIP	1	PC.
004	1		158912-2	PROTECTOR COMPLETE	1	PC.
	2		141J43-4	PROTECTOR COMPLETE	1	PC.
005			265995-6	TAPPING SCREW 4X18	2	PC.
006			911253-5	PAN HEAD SCREW M5X30	2	PC.
008			188567-9	HOUSING SET	1	SET
009			417740-7	INSULATION CAP	1	PC.
010			233288-9	COMPRESSION SPRING 8	1	PC.
011			268077-3	PIN 5	1	PC.
012			417727-9	CAP HOLDER	1	PC.
013			417736-8	LIFTER	1	PC.
014			417735-0	PUSHER CAP	1	PC.
015			268237-7	ROD 3	1	PC.
016			417781-3	PIN HOLDER	1	PC.
019			417737-6	LINK	1	PC.
020			417739-2	ROD	1	PC.
021			233156-6	COMPRESSION SPRING 5	1	PC.
022			417731-8	SWITCH LEVER C	1	PC.
023			265995-6	TAPPING SCREW 4X18	2	PC.
024			687063-9	CORD CLAMP (STRAIN RELIEF)	1	PC.
025			450443-0	SWITCH LEVER A	1	PC.
026			233156-6	COMPRESSION SPRING 5	1	PC.
027			450488-8	LEVER	1	PC.
028			643935-8	BRUSH HOLDER	2	PC.
029	2		195007-0	CARBON BRUSH CB-407 2PC/SET, W/O ORIGIN	1	SET
030			621731-4	FIELD 115V	1	PC.
031			211027-7	BALL BEARING 627ZZ	1	PC.
032			515736-3	ARMATURE ASSEMBLY 115V	1	PC.
		INC.		Item No. 31, 33, 34	1	PC.
033			241850-6	FAN 60	1	PC.
034			211062-5	BALL BEARING 6000ZZ	1	PC.
035	2		650628-0	SWITCH (OLD# 650608-6 - N/L/A)	1	PC.
037			654531-7	TERMINAL BLOCK 2P	1	PC.
038			660293-7	CORD W/PLUG 2P-18-0.475M, SJTW	1	PC.
039			682503-2	CORD GUARD 8-90	1	PC.
040			253215-0	FLAT WASHER 8	1	PC.
041			253215-0	FLAT WASHER 8	1	PC.
043			865765-9	NAME PLATE F/UH5570	1	PC.
044			265995-6	TAPPING SCREW 4X18	10	PC.
045			158625-5	GEAR HOUSING COMPLETE	1	PC.
046	1		158624-7	* GEAR COMPLETE	1	PC.
	2		158623-9	* GEAR COMPLETE	1	PC.
047			443142-1	DUST GUARD	1	PC.
049			158626-3	GEAR HOUSING COVER COMPLETE	1	PC.
050			265182-7	+ PAN HEAD SCREW M5X25	2	PC.
051			450441-4	UNDER COVER	1	PC.
052			911148-2	PAN HEAD SCREW M4X25	4	PC.
100			654069-2	RECEPTACLE	2	PC.
101			654163-0	INSULATED RECEPTACLE 1.25-250A	2	PC.
102			654207-6	RECEPTACLE	1	PC.

Item N	Type	Sub	Part No	Description	Qty	Unit
103	1		158932-6	WARNING CARD COMPLETE	1	PC.
	2		144843-1	WARNING CARD COMPLETE	1	PC.
<u>ACCESSORIES</u> - see catalogue or visit www.makita.ca for more accessories information -						
A01			194677-2	CORD HOLDER COMPLETE SET	1	SET
A02			158024-1	HOOK COMPLETE	1	PC.
A03			450490-1	BLADE COVER (0.828M)	1	PC.
A04	1		194665-9	* SHEAR BLADE ASSEMBLY SET	1	SET
		INC.	264013-7	* HEX. LOCK NUT M5-8	6	PC.
		INC.	345205-8	* BRUNCH CATCHER	1	PC.
		INC.	911208-0	* PAN HEAD SCREW M5X10	1	PC.
		INC.	257766-5	* SLEEVE 5	8	PC.
		INC.	265181-9	* +TRUSS HEAD SCREW M5X20	6	PC.
		INC.	188605-7	* OIL VESSEL(3G, GREASE NA NO.2)	1	PC.
	2		194663-3	* SHEAR BLADE ASSEMBLY SET	1	SET
		INC.	264013-7	* HEX. LOCK NUT M5-8	6	PC.
		INC.	345205-8	* BRUNCH CATCHER	1	PC.
		INC.	911208-0	* PAN HEAD SCREW M5X10	1	PC.
		INC.	257766-5	* SLEEVE 5	8	PC.
		INC.	265181-9	* +TRUSS HEAD SCREW M5X20	6	PC.
		INC.	188605-7	* OIL VESSEL(3G, GREASE NA NO.2)	1	PC.
A05			194679-8	ARM BAND COMPLETE SET	1	SET
A06			194681-1	CHIP RECEIVER ASSEMBLY SET	1	SET

SERVICE CHANGES

1. Changes on Shear Blade Assy SET and Gear Complete (T/I#D8629)

Item No.	Description	Type 1	Type 2
46	GEAR COMPLETE	158624-7	158623-9
A04	SHEAR BLADE ASSY. SET	194665-9	194663-3

Above parts are completely interchangeable as a set.

